

- It allows adjustment of the spray direction in a range of 50 degrees, as well as precise alignment of the nozzle after connecting it to a pipe.
- Thread sizes available from 1/8" to 3/4" for pipe connection.
- The UT stainless steel series is designed to withstand high pressures up to 15 MPa (ca. 150 bar).
- Designed for accuracy in hard to reach areas.
- Made of S303 steel. Optional in S316 steel or others.



Metallic adapter references

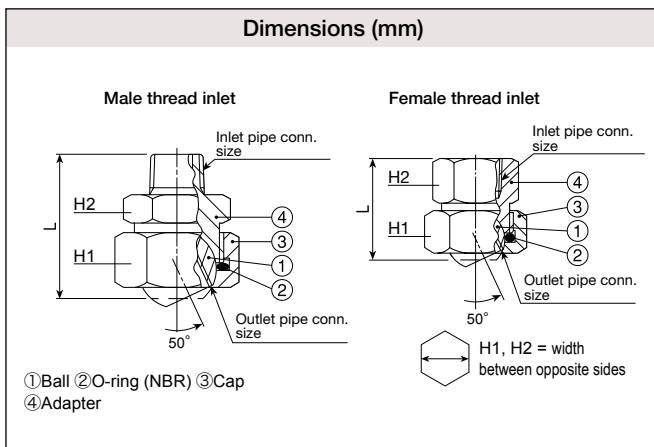
UT	1/8" M Inlet pipe conn. size**	x	1/8" F Outlet pipe conn. size**	S303
	1/8" M - 1/8" F		1/8" F	
	1/4" M - 1/4" F		1/4" F	
	3/8" M - 3/8" F		3/8" F	
	1/2" M - 1/2" F		1/2" F	
	3/4" M - 3/4" F		3/4" F	



Material
S303
O-ring NBR

***M" indicates male thread ("R" is the ISO standard) and "F" indicates female thread ("Rc" ISO standard) example: 1/8M = R1/8", 1/8F = Rc1/8".

*Use UT-S303 at a pressure below 15 MPa (ca. 150 bar).



Ball joint code (Inlet x Outlet)	Inlet pipe conn. size	Outlet pipe conn. size	Dimensions (mm)			Mass (g)	
			L	H1	H2	S303	B
UT 1/8M x 1/8F	R1/8	Rc1/8	32,5	22	21	56	60
UT 1/4M x 1/8F	R1/4	Rc1/8	36,0	22	21	60	65
UT 1/4M x 1/4F	R1/4	Rc1/4	39,5	29	24	100	110
UT 3/8M x 1/4F	R3/8	Rc1/4	40,0	29	24	110	115
UT 3/8M x 3/8F	R3/8	Rc3/8	47,5	35	30	190	205
UT 1/2M x 1/2F	R1/2	Rc1/2	54,5	41	41	325	350
UT 3/4M x 3/4F	R3/4	Rc3/4	61,5	50	46	490	525
UT 1/8F x 1/8F	Rc1/8	Rc1/8	28,5	22	21	63	69
UT 1/4F x 1/8F	Rc1/4	Rc1/8	28,5	22	21	58	63
UT 1/4F x 1/4F	Rc1/4	Rc1/4	33,5	29	24	110	120
UT 3/8F x 1/4F	Rc3/8	Rc1/4	33,5	29	24	100	110
UT 3/8F x 3/8F	Rc3/8	Rc3/8	44,5	35	30	220	235
UT 1/2F x 1/2F	Rc1/2	Rc1/2	48,5	41	41	375	405
UT 3/4F x 3/4F	Rc3/4	Rc3/4	55,5	50	46	560	600

NOTE: Do not use UT ball joint adapter under conditions where sudden change of water pressure occurs.



- It allows adjustment of the spray direction in a range of 50 degrees, as well as precise alignment of the nozzle after connecting it to a pipe.
- The spray direction can be adjusted while spraying with pressures up to 0.3 MPa (ca. 3 bar).
- Without O-ring. Easy manual installation, without tools.
- Half the weight of those made of metal.
- Economical nozzle due to injection moulding.



Material
 Adapter and cap: FRPP
 Ball: FRPP + PP + EPDM

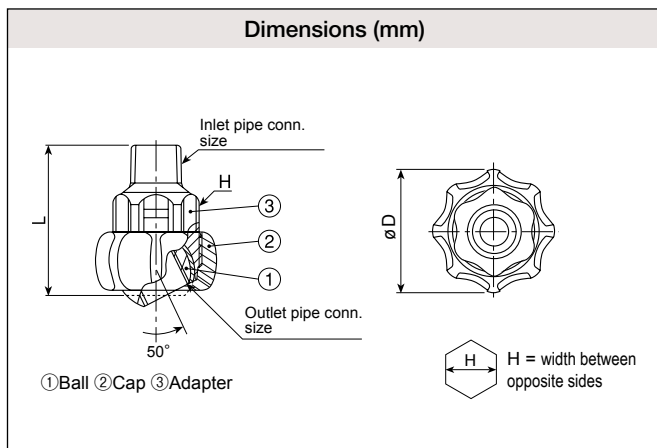


Plastic adapter references

UT	Inlet pipe conn. size**	x	Outlet pipe conn. size**	FRPP-IN
	1/8" M		1/8" F	
	1/4" M		1/4" F	
	3/8" M			

***"M" indicates male thread ("R" is the ISO standard) and "F" indicates female thread ("Rc" ISO standard) example: 1/8M = R1/8", 1/8F = Rc1/8".

*Use UT-FRPP at a pressure below 1 MPa (ca. 10 bar ; at room temperature).



Ball joint code (Inlet x Outlet)	Inlet pipe conn. size	Outlet pipe conn. size	Dimensions (mm)			Mass (g)
			L	H	ØD	
UT 1/8M x 1/8F	R1/8	Rc1/8	38.0	21	32	12
UT 1/4M x 1/8F	R1/4	Rc1/8	40.0	21	32	13
UT 1/4M x 1/4F	R1/4	Rc1/4	40.0	21	32	12
UT 3/8M x 1/8F	R3/8	Rc1/8	41.0	21	32	13
UT 3/8M x 1/4F	R3/8	Rc1/4	41.0	21	32	12

NOTE: Do not use UT ball joint adapter under conditions where sudden change of water pressure occurs.